



# INSTALLATION INSTRUCTIONS & USE & CARE GUIDE

Air-O® Ultra Series Range Hoods

## Ultra Series

### Models:

UL2824

UL2830

UL2836



### **CONTENTS:**

Part 1 - Planning The Installation

Part 2 - Electrical Connection

Part 3 - Direction of Vent and  
Securing The Hood

Part 4 - Use & Care

## **READ AND SAVE THESE INSTRUCTIONS**

Before beginning installation, please thoroughly read and become familiar with these instructions. Installation and service must be completed by a qualified installer. Failure to properly install this product may void the warranty.

**Installer:** Please leave these installation instructions with the range hood.

**Owner:** Please keep these installation instructions for local electrical inspector's use and for future reference.



**WARNINGS:** Must be followed carefully to avoid personal injury



**IMPORTANT:** Must be followed carefully to avoid damage



**TIPS:** Contain helpful information



### **WARNING! TO REDUCE THE RISK OF FIRE, ELECTRIC SHOCK, OR INJURY TO PERSONS OBSERVE THE FOLLOWING:**

- Use this unit only in the manner intended by the manufacturer. If you have any questions, contact the manufacturer.
- Before servicing or cleaning unit, switch power off at service panel and lock the service disconnecting means to prevent power from being switched on accidentally. When the service disconnecting means cannot be locked, securely fasten a prominent warning device, such as a tag to the service panel.
- Installation work and electrical wiring must be done by qualified person(s) in accordance with all applicable codes and standards, including fire-rated construction.





**WARNING! TO REDUCE THE RISK OF FIRE, ELECTRIC SHOCK, OR INJURY TO PERSONS, OBSERVE THE FOLLOWING:**

- Sufficient air is needed for proper combustion and exhausting of gasses through the flue (chimney) or fuel burning equipment to prevent back drafting. Follow the heating equipment manufacturer's guideline and safety standards such as those published by the National Fire Protection Association (NFPA) and the American Society for Heating, Refrigeration and Air Conditioning Engineers (ASHRAE) and the local code authorities.
- When cutting or drilling into wall or ceiling, do not damage electrical wiring and other hidden utilities.
- Duct fans must always be vented to the outdoors.



**WARNING! TO REDUCE THE RISK OF A RANGE TOP GREASE FIRE:**

- Never leave surface units unattended at high settings. Boil-overs may cause smoking and greasy spillovers that may ignite. Heat oils slowly on low or medium settings.
- Always turn hood ON when cooking at high heat or when cooking flaming foods.
- Clean filters and ventilating fans frequently. Grease should not be allowed to accumulate on filter or fan.
- Use proper pan size. Always use cookware appropriate for the size of the surface element.



**WARNING! TO REDUCE THE RISK OF INJURY TO PERSONS IN THE EVENT OF A RANGE TOP GREASE FIRE, OBSERVE THE FOLLOWING\*:**

- **SMOTHER FLAMES** with a close-fitting lid, cookie sheet or metal tray, then turn off the burner. **BE CAREFUL TO PREVENT BURNS.** If the flames do not go out immediately, **EVACUATE AND CALL THE FIRE DEPARTMENT.**
- **NEVER PICK UP A FLAMING PAN**—you may be burned.
- **DO NOT USE WATER**, including wet dishcloths or towels—a violent steam explosion will result.
- Use an extinguisher **ONLY** if:
  - You know you have a Class ABC extinguisher, and you already know how to operate it.
  - The fire is small and contained in the area where it started.
  - The fire department is being called.
  - You can fight the fire with your back to an exit.

*\*Based on "Kitchen Fire Safety Tips" published by the NFPA.*

## **PART 1 Planning the Installation**



**CAUTION:**

- For general ventilating use only. Do not use to exhaust hazardous or explosive materials and vapors.
- To reduce the risk of fire and to properly exhaust air, the hood must be exhausted to outside air. Never exhaust into a wall, an attic or a concealed area in the building. This can create a potential hazard.
- Consult a licensed ventilation contractor or qualified technician for proper installation of exhaust ducting.





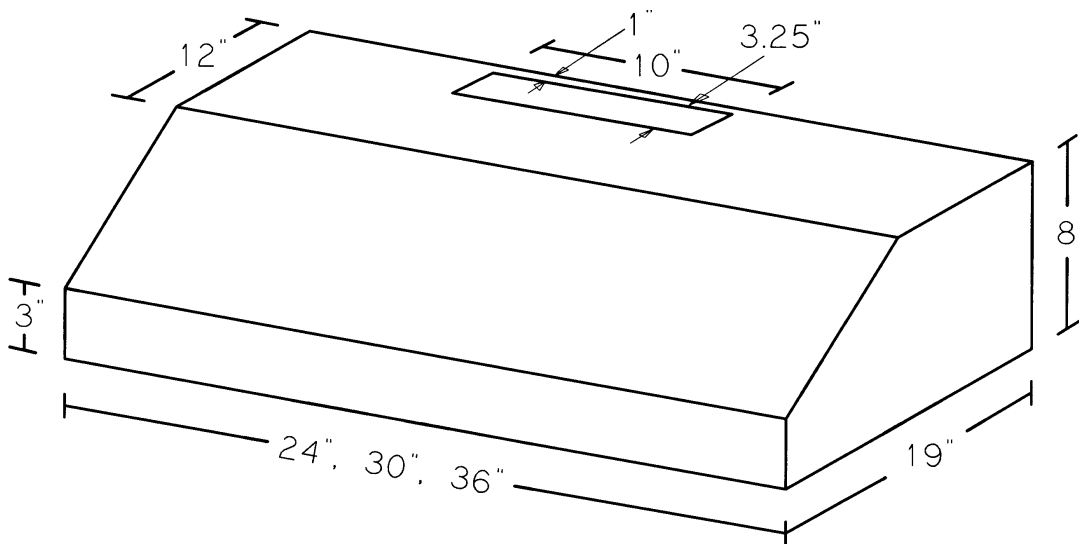
## CAUTION:

- Locate the cooking area for minimum cross drafts—away from doors and windows, when possible.
  - Ducts must be of adequate size and duct runs should be as short as possible. Where turns are necessary, keep turning radius as large and as smooth as possible.
  - The ducting must be air tight. Use a minimum of 2 sheet metal screws at every duct joint. Then, seal the duct joints with high quality duct tape.
  - Only use ductwork constructed of materials deemed acceptable by state, municipal and local codes.
1. A qualified person must complete the installation of this appliance.
  2. Plan the installation so that all minimum clearances are met or exceeded. Dimensions shown provide minimum clearances, unless otherwise specified.
  3. **IMPORTANT:** If the Air-O® hood is installed as a liner for a wood hood, proper installation of the hood as a liner is directly related to the material from which the custom canopy is constructed. You must provide structural framing and tight backing in the areas in which you are securing the liner inside your custom canopy. Failure to do so could distort and damage the liner and void the warranty.



**IMPORTANT:** Hood is 1/8" narrower than widths shown below.

## Dimensions



## **WARNING! Following Are Manufacturer's Suggestions. Always Observe Local Building Codes.**

Hoods installed in custom canopies constructed of combustible materials should be installed with the combustible material structure a minimum of 36" above the cooking surface. Hoods installed in custom canopies constructed of non-combustible materials, should be installed with the non-combustible material structure a minimum of 30" above the cooking surface. Follow all instructions regarding minimum safe clearances and installation location. Failure to do so may result in a safety hazard or fire. To reduce the risk of fire use only metal ductwork.



## PART 2 Electrical Connection



### WARNING!

Ensure that the power supply is disconnected before proceeding. Verify that the power supply matches the ratings found on the appliance data label before proceeding. The complete appliance must be properly grounded at all times when electrical power is applied. Do not ground the appliance with the neutral (white) house supply wire. A separate ground wire must be utilized. Failure to complete electrical connections properly may result in damaged or non-functional systems. Follow instructions carefully to ensure proper installation.

**It is the owner's responsibility to ensure that a qualified person performs the electrical connection of this appliance. The electrical installation, including minimum supply wire size, must comply with the National Electric Code ANSI/NFPA 70-1990 (or latest revision) and local codes and ordinances. A copy of this standard may be obtained from:**

National Fire Protection Association, 1 Batterymarch Park, Quincy, Massachusetts 02169-7471



### INSTRUCTIONS:

A 15 to 20 amp electrical service is recommended for proper electrical supply. Always observe local building codes. Always use a dedicated circuit. The Air-O® hood is supplied with a 5.0 amp variable speed fan control.

Wire connections: (See Diagram Below)

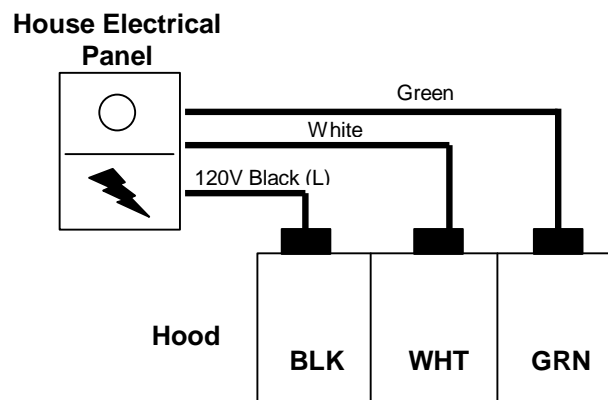
There are 3 wires on the front panel that require connection.

BLACK	120 VAC from electrical panel (usually black)
WHITE	Neutral from electrical panel (white)
GREEN	Ground from electrical panel (usually green)



### CAUTION:

The neutral wire (white) must only be connected to the white neutral wire coming in from the electrical panel.

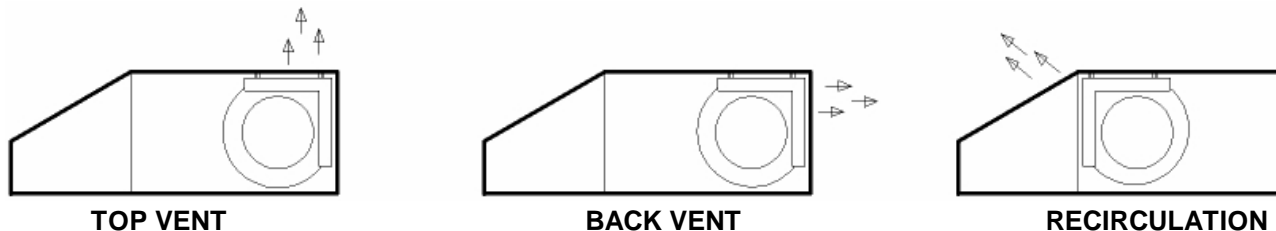


## PART 3 Determining Direction of Vent and Securing the Hood

### MOUNTING HOLES

Because the Air-O® Ultra Series rangehood was designed for all applications, no mounting holes have been pre-drilled. This allows the hood (or liner) to be attached in the areas of the cabinet or wood hood canopy that have proper wood frame support. The hood should be attached to the wood framing through the top. Remove the filters. Mark and drill screw holes through the hood as required. Secure the hood by driving screws (provided by others) through the screw holes. NOTE: DRILLING THROUGH STAINLESS STEEL REQUIRES TITANIUM DRILL BITS. BE CAREFUL NOT TO DRILL THROUGH THE UL LABEL OR INTO THE HOOD'S ELECTRICAL COMPONENTS.

### DETERMINING THE DIRECTION OF VENTING (TOP, REAR AND RECIRCULATE):



**Top Vent:** Range hoods are shipped with the motor and blower installed to vent out the top. However, the vent covers in the rear vent opening and recirculation vent opening must be taped on all edges to prevent air leaks and vibration noise. The vent covers are not taped when shipped from the factory because the direction of venting may be changed. Vent covers placed on the inside of the hood should be neatly foil taped. Duct covers placed on the outside of the hood can be duct taped. If the rear vent and recirculation vent covers are not already in place, slightly bow the vent cover and place the side slots over both sides of the vent openings. Tightly fasten the motor & blower housing to the studs on the hood top. When installed correctly, the motor & blower housing will be approximately 1/2" from the back wall of the hood.

**Back Vent:** Unplug the electrical connection and remove the motor & blower housing from the hood.

**IMPORTANT: Remove the vent cover from the rear vent opening.** Slightly bow the vent cover removed from the rear vent opening and place the side slots over both sides of the top vent opening. The vent cover can be placed on the inside or outside of the hood. We recommend the inside. Vent covers placed on the inside of the hood should be neatly foil taped. Vent covers placed on the outside of the hood can be duct taped. Vent covers must be taped on all edges to prevent air leaks and vibration noise. Do not re-use the pieces of duct tape shipped with the hood. Reposition the blower housing to vent out the back of the hood and align the housing mounting brackets so that the housing tightly fits against the back wall. Securely fasten the motor & blower housing to the studs on the hood top. Reconnect the electrical connectors.

**Recirculation:** Unplug the electrical connection and remove the motor & blower housing from the hood.

**IMPORTANT: Remove the vent cover from the front vent opening.** Slightly bow the vent cover removed from the front vent opening and place the side slots over both sides of the top vent opening. The vent cover can be placed on the inside or outside of the hood. We recommend the inside. Vent covers placed on the inside of the hood should be neatly foil taped. Vent covers placed on the outside of the hood can be duct taped. Vent covers must be taped on all edges to prevent air leaks and vibration noise. Do not re-use the pieces of duct tape shipped with the hood. Reposition the blower housing to vent out the front of the hood and align the housing mounting brackets so that the housing tightly fits against the front wall. Securely fasten the motor & blower housing to the studs on the hood top. Reconnect the electrical connectors.

### CONNECTING TO THE VENT PIPE:

The hood is equipped with a metal damper. Attach the damper to the hood top or back side of the hood with at least two screws. Duct tape the edges to the hood. Be careful to not damage or tape over the damper blade. When connected to the back of the hood (horizontal ventilation), be sure the damper swings open from the bottom side; the hinge will be on the top. Otherwise, it will NOT close when the motor is off.

## PART 4 Use and Care

### OPERATING CONTROLS:

Always activate the ventilator when using cooking appliances. Activate the ventilator a few minutes before starting to cook to establish an airflow pattern within the room. Adjust the fan speed as needed. Adjust the dimmable halogen lights as desired. Eliminate air currents in the hood vicinity by shutting nearby windows and doors, turning off ceiling fans and adjusting the adjacent heating and air conditioning outlets if necessary. Place your largest pans on the rear burners whenever possible.



### WARNING!

Do NOT operate the blower / ventilator system without the filters in place, or with dirty, grease laden filters.



### ENERGY SAVING TIPS:

Do not operate the blower at a speed higher than necessary to remove the cooking exhaust. Running at excessive speeds removes more air from the inside of the house that must be replaced by outside air. This may be especially costly when your home's heating or air conditioning system is in operation. Turn off the unit once the smoke and cooking odors have been eliminated. Clean filters and grease laden surfaces often to improve efficiency. Always use lids on cookware to retain heat and moisture. Minimize the amount of liquid used to cook food. Select cookware of proper size, material and construction for the cooking task being performed.

### CARE & CLEANING:

Proper cleaning is necessary to maintain performance and appearance, while also ensuring safe operation. The frequency of cleaning should be adjusted according to the type and amount of cooking. Best results will be achieved by cleaning soiled components as soon as possible. Filters must be cleaned regularly. Remove one filter at a time by inserting a butter knife in the slot and pressing back then downwards. Butter knife filter slots are a safety feature. The filter should be installed with the butter knife slot on the front lower side.

The filters may be cleaned by hand washing in hot water using a mild detergent solution, or by placing them in a dishwasher. Dry the filters completely before using again. Stainless steel surfaces should be cleaned with a solution of mild detergent and warm water. Rinse and dry with a soft lint-free cloth. Charcoal filters are ineffective if washed and should be replaced periodically. Contact your dealer or Universal Metal Industries for replacement.

**CAUTION:** If a commercially available stainless steel cleaner is used, it is important to read the labels for chlorine compounds. Chlorine is a corrosive substance. If these compounds are present, rinse thoroughly and dry with a soft lint-free cloth. Follow polish manufacturer's instructions. Always wipe stainless steel surfaces with the grain. Never wipe across the grain. After cleaning, reinstall the filters carefully. **Most common scrubber type pads will scratch the hood.**

### HALOGEN LIGHT BULBS:

UM200 hoods are designed for Par 20 halogen lamps. They can be purchased at most home and/or grocery stores, e.g., Lowe's, Menards, Fry's, Kroger, Ace Hardware, Albertsons, True Value, and Home Depot.

**Universal Metal Industries, Inc.** has a policy of continuous improvements and reserves the right to modify (at any time, without notice) any or all of its products, features, designs, components and specifications. For exact dimensions, see the installation instructions included with each product. Some features may be slightly different than shown on product literature.

**For questions regarding this product contact:**

**Customer Service**

**Universal Metal Industries, Inc.**

**P.O. Box 2409**

**Phoenix, AZ 85002**

**(602) 251-3654**

**umiphx.com / customrangehoods.com / artechusa.net**

